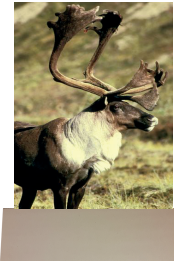
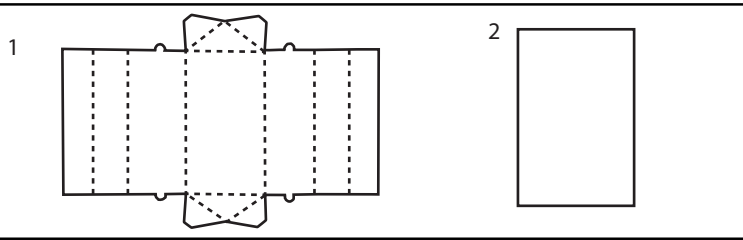


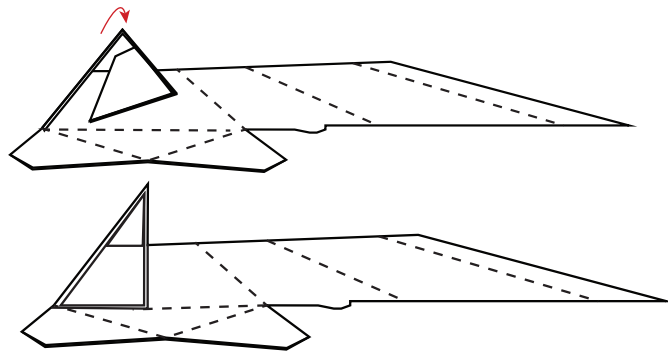
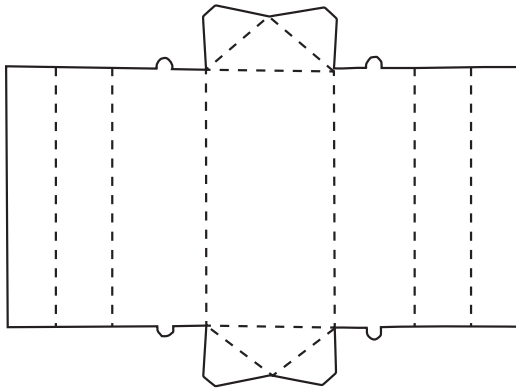
# Enviro Board Display

## Product Parts

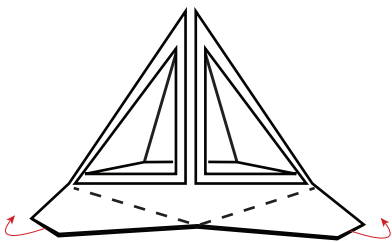
1. Enviro Board Base
2. Enviro Board Sign



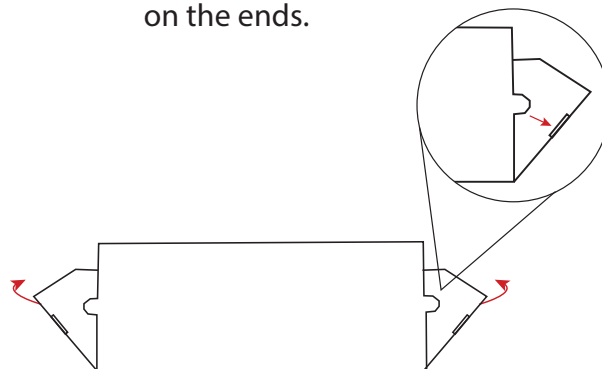
- Step 1**  
Lay the Enviro Board Base (1) flat on the floor.
- Step 2**  
Fold each section of the Enviro Board Base along scored lines. Repeat on the other side. When both sides are folded it should look like step 3.



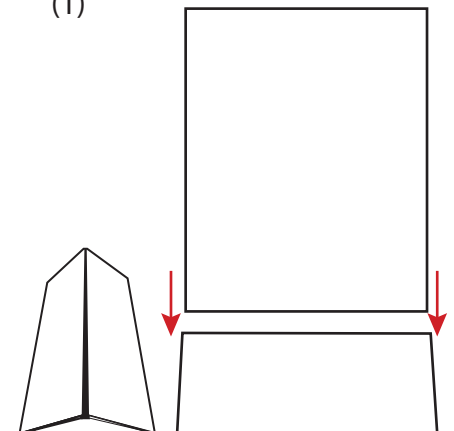
- Step 3**  
Fold the flaps on the end of the display base along scored lines inward.



- Step 4**  
Fold the ends of the display base up, inserting the folded flaps into the main section, and secure the tabs on the main sections into the slots on the ends.



- Step 5**  
Insert Enviro Board Sign (2) into the top slot of the assembled Enviro Board Base (1)



## Storage & Care

Keep in dry and uncluttered environment to prevent damage to base or graphic.